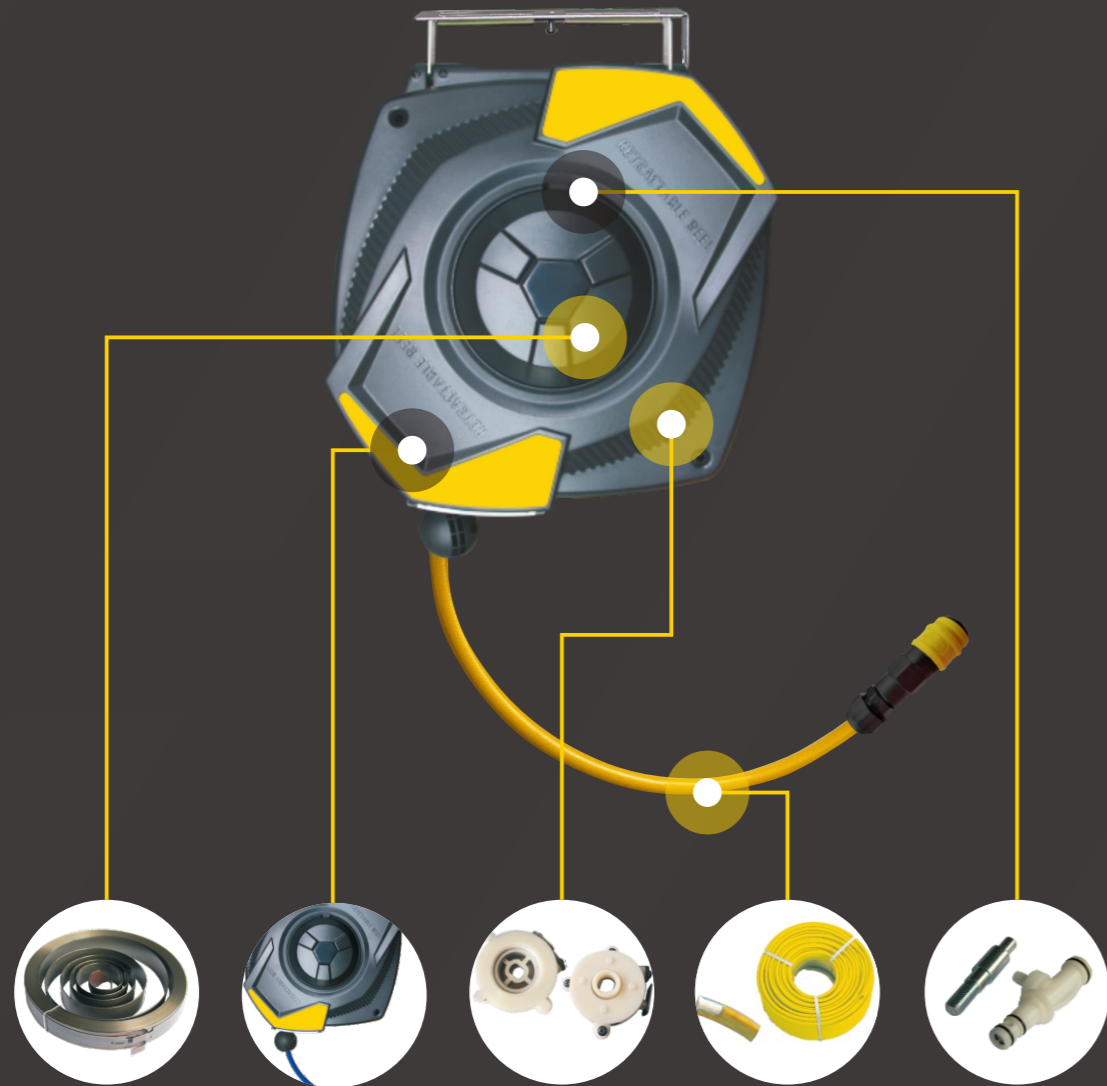






龙之眼卷轴

DRAGON EYE HOSE REEL SERIES

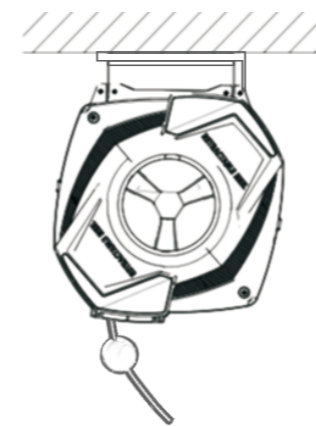


- Longer Mechanical Life**
 Coil spring made of SK4 steel, SK4 steel consists of chromium, molybdenum and vanadium and is known for its high hardenability and great toughness, could be used over 100 thousand times.
- High Intensity**
 Made of high quality ABS and poly-carbonate alloy. Keep the hose reel from corrosion, and discoloration.
- Built-in self lock**
 This equipment with double-row ball bearing reduces rotational friction and support radial and axial loads.
- Made in Germany**
 Complete braided composites made in Germany.
- Unique Sealed Protection Design**
 Keeps the core parts from rust.

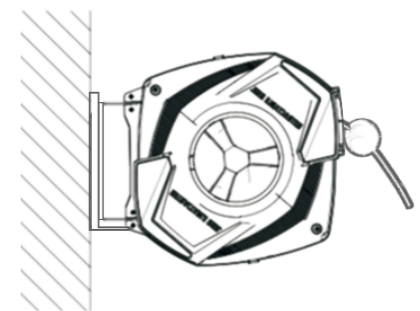
可选型号 MODEL

	<p>水型卷轴 Water Hose Reel</p> <p>Hose Material: Complete braided composites 管质：全编织复合管</p> <p>Inlet Hose: 1M 输入管长度: 1M</p> <p>Outlet Hose: 10M/12M 输出管长度: 10M/12M</p> <p>Max. Working Pressure: 6Mpa 最大工作压力: 6Mpa</p> <p>I.D./O.D : $\phi 8\text{mm}/\Phi 13\text{mm}$ 软管规格：$\phi 8\text{mm}*\Phi 13\text{mm}$</p> <p>进水接头 Inlet Connector</p> <p>出水接头 Outlet Connector</p>		<p>气型卷轴 Gas Hose Reel</p> <p>Hose Material: Complete braided composites 管质：全编织复合管</p> <p>Inlet Hose: 1M 输入管长度: 1M</p> <p>Outlet Hose: 10M/12M/15M 输出管长度: 10M/12M</p> <p>Max. Working Pressure: 6Mpa 最大工作压力: 6Mpa</p> <p>I.D./O.D : $\phi 6.5\text{mm}/\Phi 11\text{mm}$ 软管规格：$\phi 6.5\text{mm}*\Phi 11\text{mm}$</p> <p>进气接头 Inlet Connector</p> <p>出气接头 Outlet Connector</p>
	<p>水&气型卷轴 Water&Air Hose Reel</p> <p>Hose Material: Complete braided composites 管质：全编织复合管</p> <p>Inlet Hose: 1.2M 输入管长度: 1.2M</p> <p>Outlet Hose: 6.5M 输出管长度: 6.5M</p> <p>Max. Working Pressure: 6Mpa 最大工作压力: 6Mpa</p> <p>I.D./O.D : $\phi 6.5\text{mm}/\Phi 11\text{mm}$ 软管规格：$\phi 6.5\text{mm}*\Phi 11\text{mm}$</p> <p>进水气接头 Inlet Connector</p> <p>出水气接头 Outlet Connector</p>		<p>电型卷轴 Electric Hose Reel</p> <p>Hose Material: Cable 管质：电缆线</p> <p>Inlet Hose: 1M 输入管长度: 1M</p> <p>Outlet Hose: 10M/12M/15M 输出管长度: 10M/12M/15M</p> <p>Working Voltage: 220V 工作电压: 220V Hose Spec : $3*1.5\text{mm}^2$ 软管规格：$3*1.5\text{mm}^2$</p> <p>Working Voltage: 380V 工作电压: 380V Hose Spec : $3*2.5\text{mm}^2$ or $4*2.5\text{mm}^2$ 软管规格：$3*2.5\text{mm}^2$ 或 $4*2.5\text{mm}^2$</p> <p>插头 Plug</p> <p>插座 Socket</p>

安装示意 FIXED METHOD



直接安装（垂直）
Ceiling mounted



直接安装（侧向）
Wall mounted